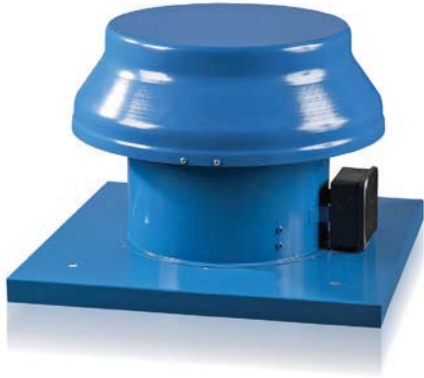


Series  
**VENTS VOK1**



Axial roof fans with the air capacity up to **1700 m<sup>3</sup>/h** in the steel casing with the horizontal exhaust of air

■ **Applications**

Exhaust ventilation system for various premises suitable for roof mounting. Compatible with Ø 200 to 315 mm round air ducts.

■ **Design**

The fan casing is made of steel with polymeric coating, impeller is made of aluminium.

■ **Motor**

Single phase asynchronous motor with external rotor and built-in thermal protection with automatic restart. Ball bearings ensure long service life. Motor protection rating IP 44.

■ **Speed control**

Both smooth or step speed control is performed by means of the thyristor or autotransformer controller. Several fans can be connected to one controller under condition that the total power and operating current do not exceed the rated controller values.

■ **Mounting**

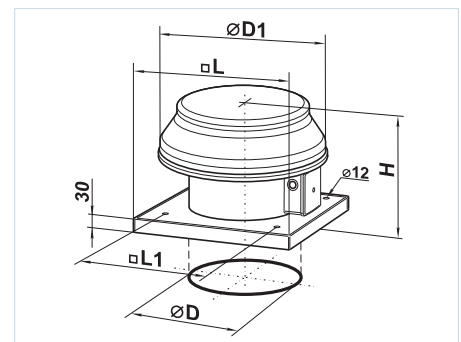
The fan is mounted on the roof directly above the ventilating duct or shaft and is firmly fixed to the flat surface by means of a connecting plate. While mounting VOK1 fans directly onto the flat roof a supporting block shall be provided to prevent water and snow drops into the vent of the ventilation shaft. Electrical connection and installation shall be performed in compliance with the manual and wiring diagram on the terminal box.

**Technical data:**

	VOK1 200	VOK1 250	VOK1 315
Voltage [V / 50 Hz]	230	230	230
Power [W]	43	68	110
Current [A]	0.28	0.48	0.75
Max. air capacity [m <sup>3</sup> /h]	405	1070	1700
RPM [min <sup>-1</sup> ]	1300	1300	1300
Noise level at 3 m [dBA]	32	48	54
Max. transported air temperature [°C]	50	50	50
Protection rating	IP X4	IP X4	IP X4

**Fan overall dimensions:**

Type	Dimensions [mm]					Weight [kg]
	ØD	ØD1	H	L	L1	
VOK1 200	208	345	280	425	330	6.1
VOK1 250	262	405	300	425	330	7.2
VOK1 315	314	555	380	585	450	11.5



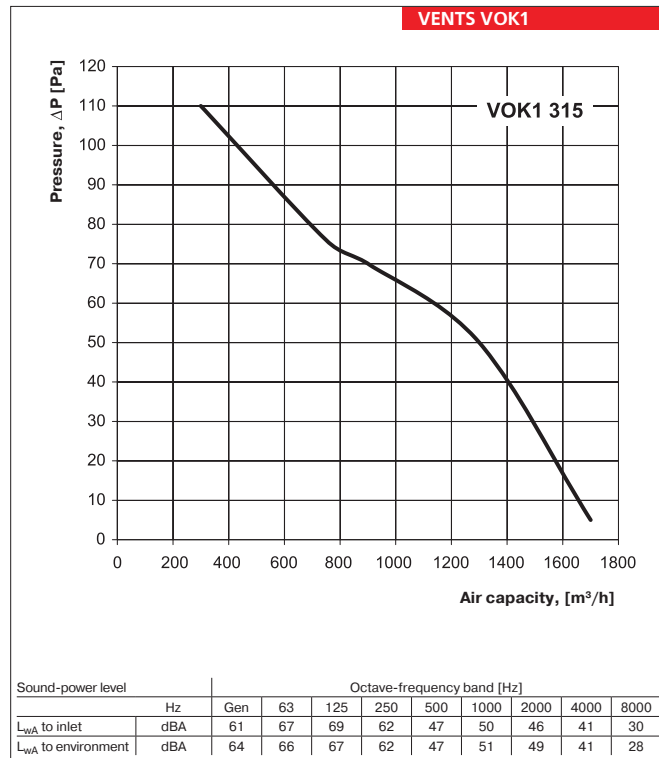
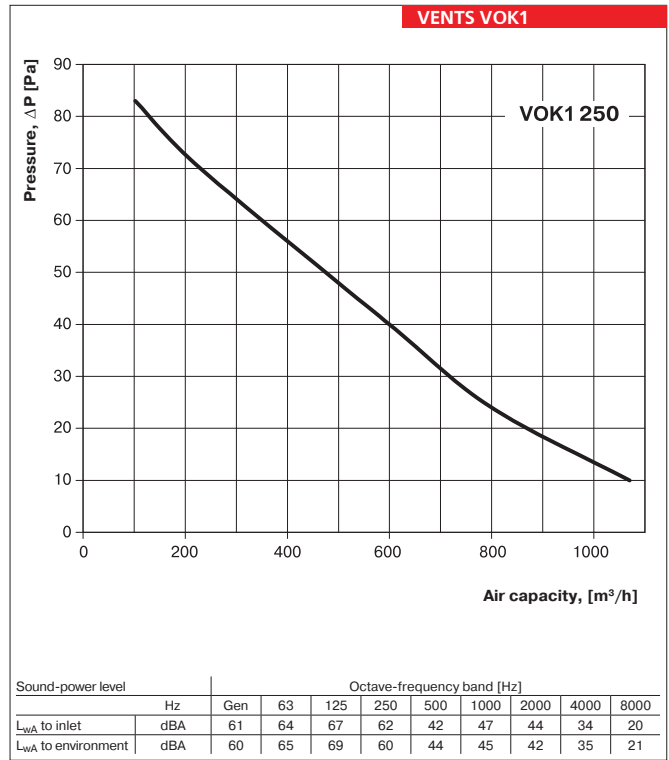
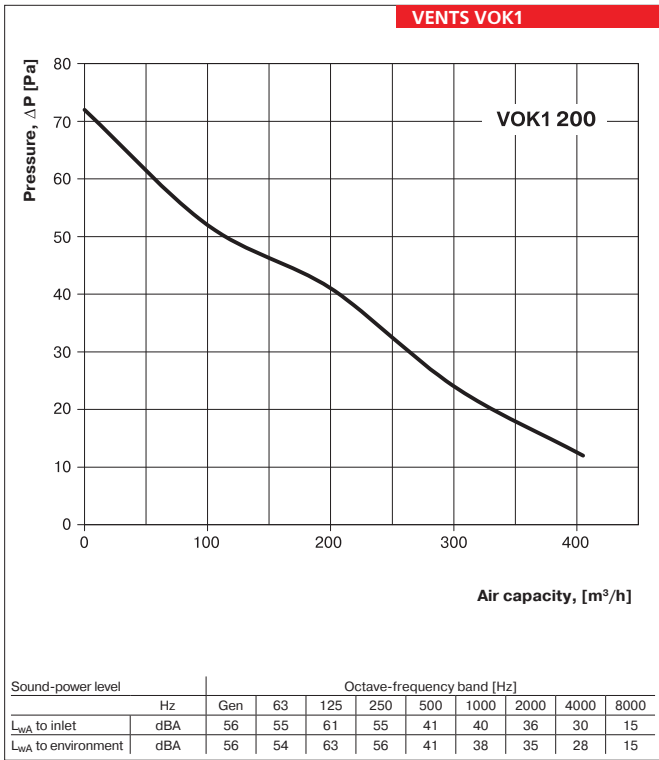
**Designation key:**

Series <b>VENTS VOK1</b>	Impeller diameter 200; 250; 315
-----------------------------	------------------------------------

**Accessories**



page 210   page 378   page 378   page 442   page 446   page 451   page 452   page 466   page 467



VENTS VOK1

FAN SERIES