

Heavy-duty suspension rings

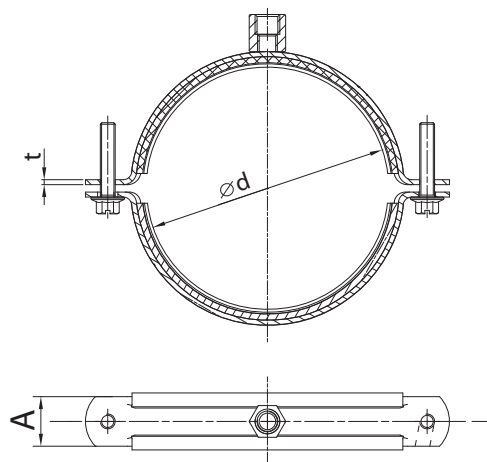


Description

suspension rings with a damping liner are designed for installation of heavy steel pipes in the O.D. range of 16 to 252 mm. The damping liner is made of black noise-insulating EPDM rubber. Suspension ring are made from galvanized steel and suitable for setting up cooling, heating, and water supply pipe systems.

Available materials —
— galvanized steel sheet

Dimensions



for $16 \leq \text{ø}d \leq 63$ rivetnut M8
for $75 \leq \text{ø}d \leq 168$ rivetnut M8, M10
for $198 \leq \text{ø}d \leq 252$ rivetnut M10

| | $\text{ø}d$ (in) | Diam- eter range: (mm) | A (mm) | t (mm) | Weight (kg) |
|---------|---------------------|---------------------------------|-----------|-----------|----------------|
| C-3/8 | $\frac{3}{8}$ | 16-20 | 20 | 1.5 | 0.052 |
| C-1/2 | $\frac{1}{2}$ | 20-24 | 20 | 1.5 | 0.059 |
| C-3/4 | $\frac{3}{4}$ | 25-30 | 20 | 1.5 | 0.069 |
| C-1 | 1 | 32-37 | 20 | 1.5 | 0.072 |
| C-1 1/4 | $1\frac{1}{4}$ | 40-45 | 20 | 1.5 | 0.087 |
| C-1 1/2 | $1\frac{1}{2}$ | 48-53 | 20 | 1.5 | 0.097 |
| C-2 | 2 | 59-63 | 20 | 1.5 | 0.104 |
| C-2 1/2 | $2\frac{1}{2}$ | 75-80 | 25 | 2.0 | 0.198 |
| C-3 | 3 | 85-92 | 25 | 2.0 | 0.226 |
| C-3 1/2 | $3\frac{1}{2}$ | 95-103 | 25 | 2.0 | 0.245 |
| C-4 | 4 | 108-116 | 25 | 2.0 | 0.252 |
| C-5 | 5 | 135-141 | 25 | 2.0 | 0.334 |
| C-6 | 6 | 169-168 | 25 | 2.0 | 0.4 |
| C-200 | — | 198-202 | 30 | 3.0 | 0.723 |
| C-8 | 8 | 206-215 | 30 | 3.0 | 1.12 |
| C-10 | 10 | 248-252 | 30 | 3.0 | 1.275 |