

Wall-mounted non-return air exhaust vent

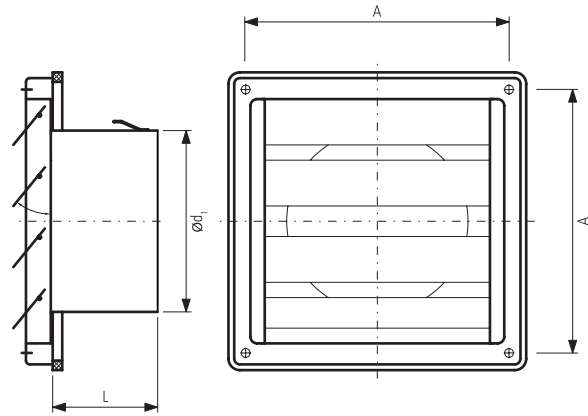


Description

air exhaust vents are made entirely from stainless steel sheet product and designed for use in home ventilation systems. The flexible collapsing louvers close the opening when there is no exhaust pressure coming out of the ductwork. The air exhaust vents are installed with screws. The inward sleeve fits round spiral ducts and flexible ducts.

Available materials —
stainless steel

Dimensions



Product code	Ød ₁ (mm)	A x A (mm)	L (mm)	Air flow rate (cm ²)
.100	100	137x137	52	70
.125	125	167x167	52	112
.150	150	167x167	62	164