

# Wall-mounted air intake/exhaust vent with drip

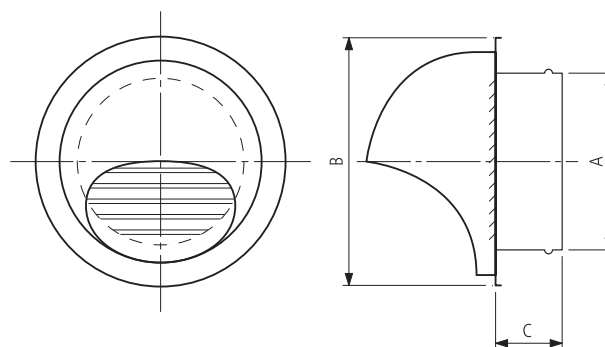


## Description

air intake/exhaust vents are designed for use in mechanical or gravity ventilation systems with heat recovery. The half-dome cowl prevents air back flow from the gusts outside. The louvres force the exhaust air flow down. The UVLA air intake/exhaust vents have a rubber seal and fitting clamps for easy installation. The product provides a highly aesthetic finish and a long service life. The product is suitable for outdoor and indoor use.

Available materials —  
polished stainless steel

## Dimensions



Ød (mm)	A (mm)	B (mm)	C (mm)
100	97	133	52
125	120	165	52
150	145	192	62
160	155	192	62
200	195	253	62

## Drip styles

air exhaust vents feature a slim and a wide drip.

